

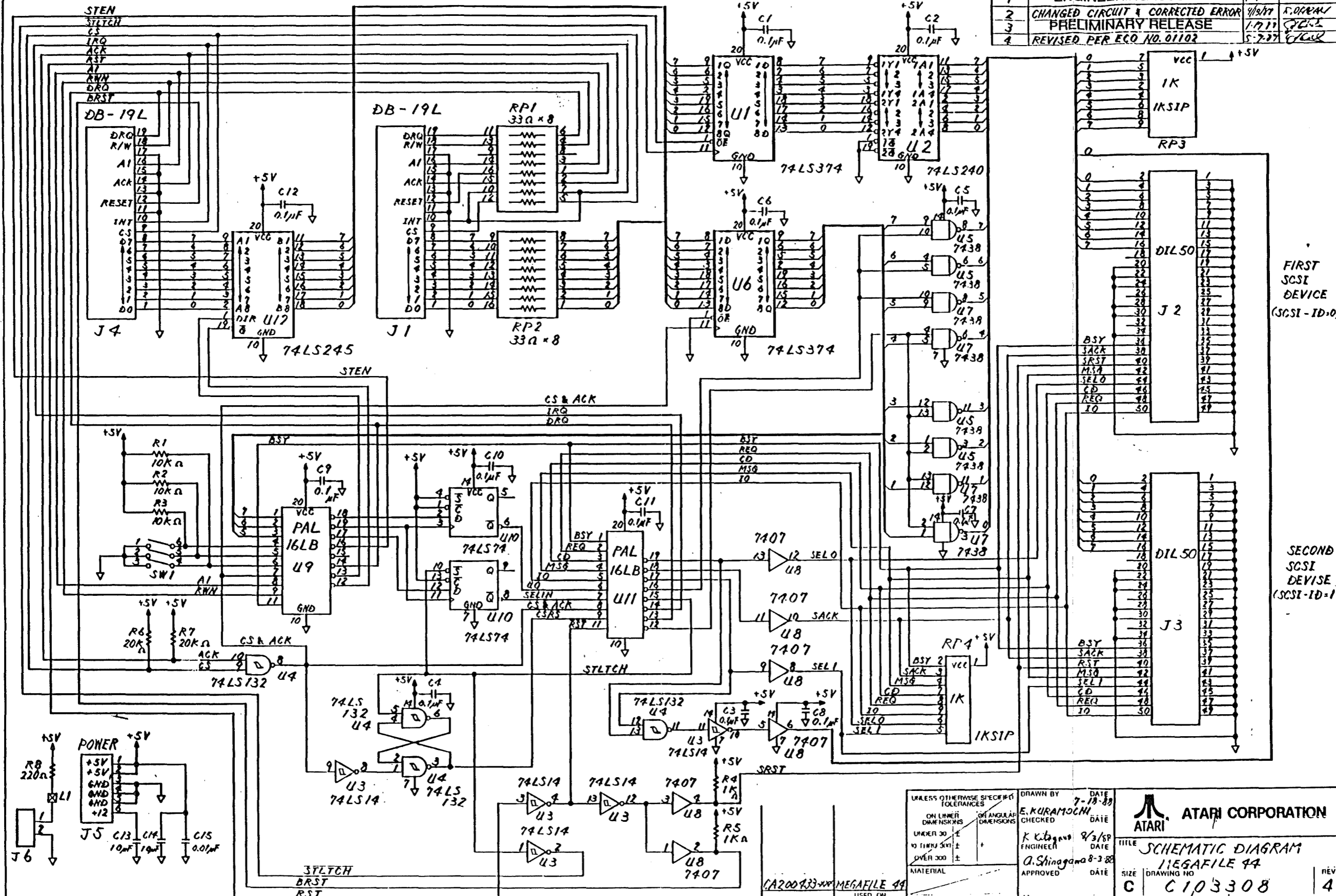


... wir machen Spitzentechnologie preiswert.

MEGAFILE 44

WECHSELPLATTE

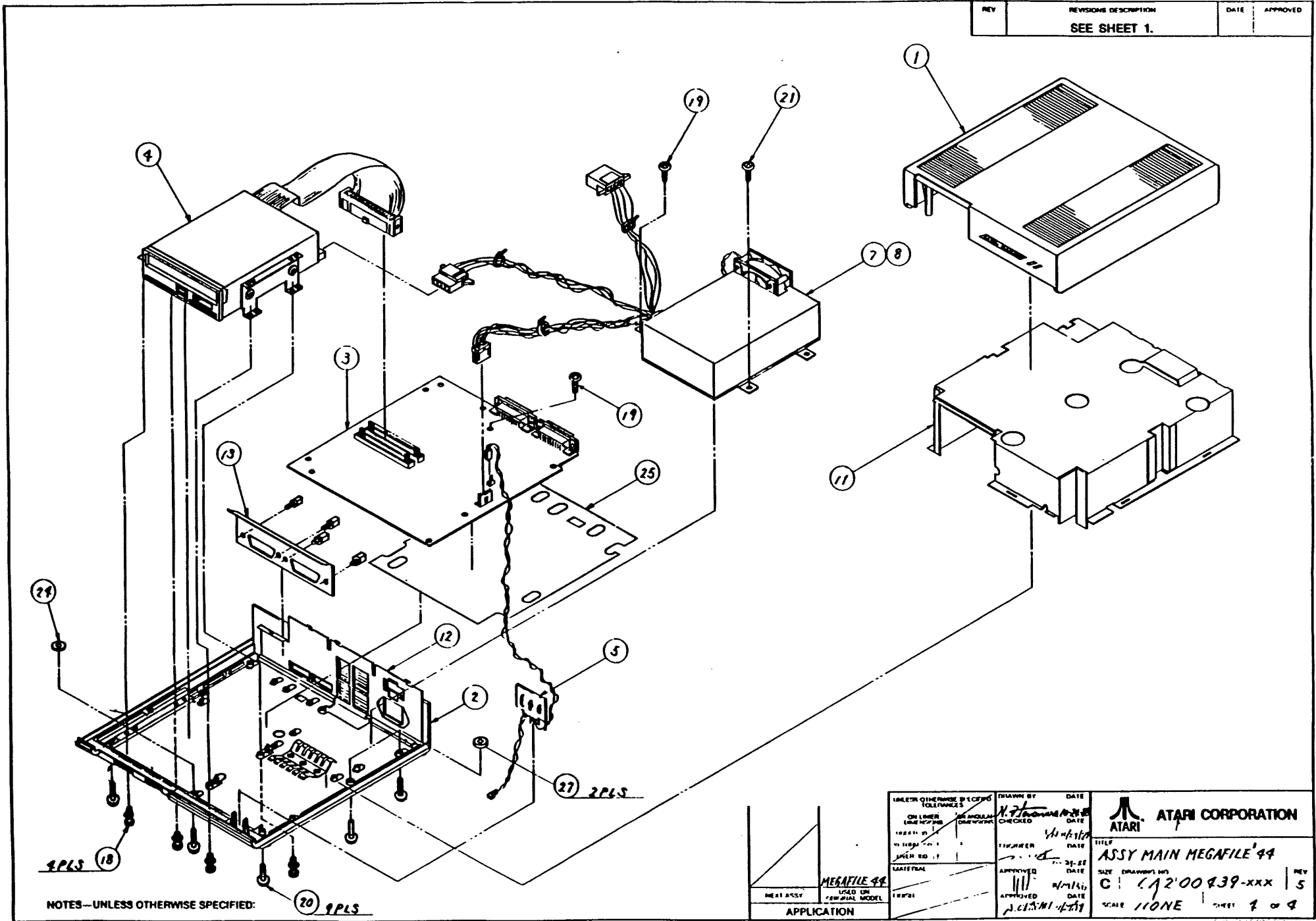
REV	REVISIONS DESCRIPTION	DATE	APPROVED
1	ENGINEERING ISSUE	7/18/88	S. OKSAMA
2	CHANGED CIRCUIT & CORRECTED ERROR	11/20/87	K. OKAMURA
3	PRELIMINARY RELEASE	1/17/88	S. OKSAMA
4	REVISED PER ECO NO. 01102	5/27/88	S. OKSAMA



NOTES—UNLESS OTHERWISE SPECIFIED:

UNLESS OTHERWISE SPECIFIED TOLERANCES		DRAWN BY E. KURAMOTO		DATE 7-18-88	
ON LINEAR DIMENSIONS	ON ANGLE DIMENSIONS	CHECKED	DATE		
UNLESS NOTED		K. Kato	8/3/88		
TO THREE SIG. FIGS.		ENGINEER	DATE		
OVER 300 ±		A. Shinagawa	8-3-88		
MATERIAL		APPROVED	DATE		
		S. OKSAMA	7/18		
APPLICATION		APPROVED		DATE	
NEXT ASSY		USED ON ORIGINAL MODEL		FRS#1	
MEGAFLE 44		TITLE SCHEMATIC DIAGRAM		REV 4	
C103308		SIZE DRAWING NO		SCALE NONE	
SHEET 1 OF 1		THIRD ANGLE SYSTEM DIMENSION			

REV	REVISIONS DESCRIPTION	DATE	APPROVED
	SEE SHEET 1.		



NOTES—UNLESS OTHERWISE SPECIFIED:

18 9PLS

20 9PLS

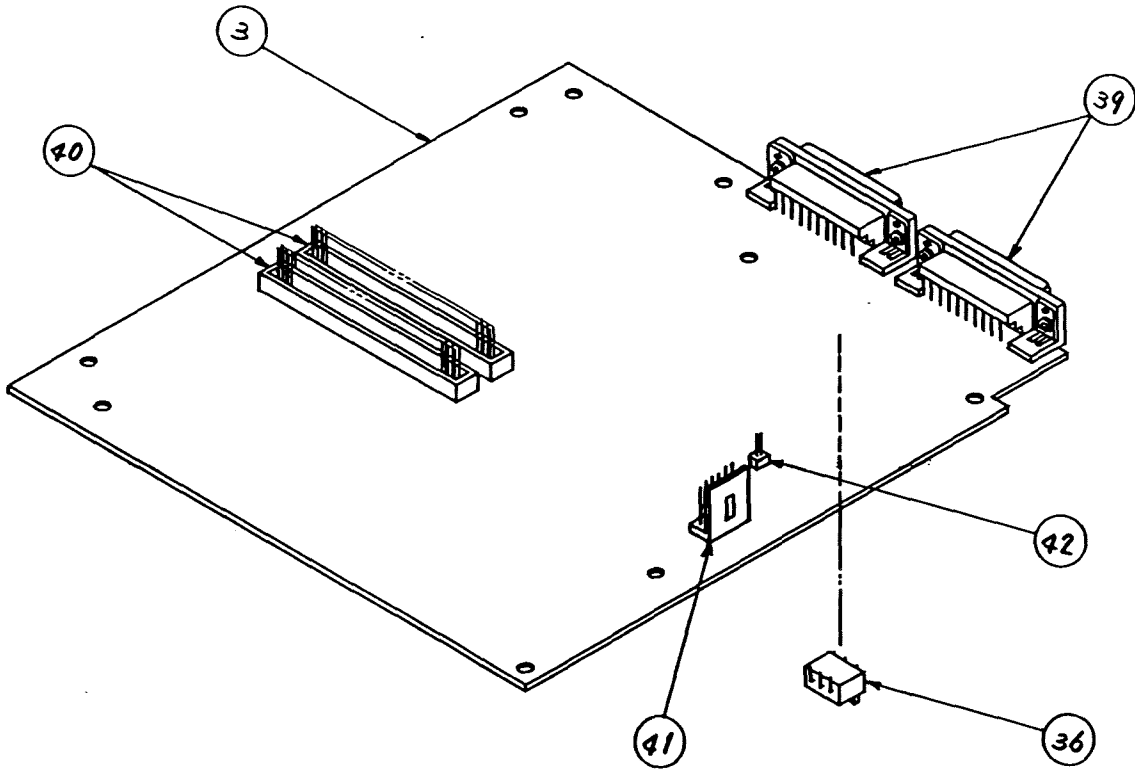
27 2PLS

MEGAFILE 44	USED ON ORIGINAL MODEL	1/1981
APPLICATION		

DESIGNED BY N. J. [Signature]	DATE 11/18/79
CHECKED BY [Signature]	DATE 11/21/79
APPROVED BY [Signature]	DATE 1/11/80
DATE 1/21/80	

ATARI CORPORATION	
TITLE ASSY MAIN MEGAFILE'44	
SIZE (DRAWING NO.) C: 12'00 439-XXX	REV 5
SCALE 1:1 ONE	SHEET 1 of 4

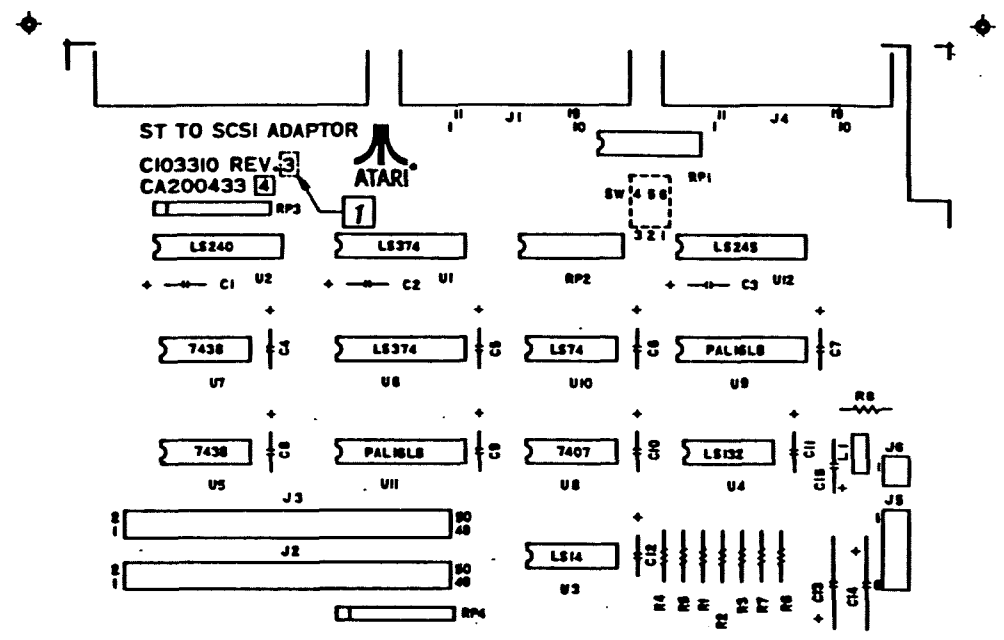
REV	REVISIONS DESCRIPTION	DATE	APPROVED
	SEE SHEET 1.		



NOTES—UNLESS OTHERWISE SPECIFIED:

UNLESS OTHERWISE SPECIFIED TOLERANCES		DRAWN BY		DATE			
ON LINEAR DIMENSIONS		E. KURAMOTO		9-2-88			
UNDER 30	±	CHECKED		DATE		TITLE	
30 THRU 300	±	K. Kitagawa 11/25/88		DATE		ASSY PCB	
OVER 300	±	ENGINEER		DATE		MEGAFILE 44	
MATERIAL		A. Shingami 11-27-88		DATE		SIZE	
FINISH		APPROVED		DATE		DRAWING NO.	
NEXT ASSY	USED ON ORIGINAL MODEL	HIS 11/29/88		DATE		B CA200433-XXX	
APPLICATION		APPROVED		DATE		REV	
		S. OZAWA 11/29/88		DATE		3	
						SCALE NONE	
						SHEET 2 OF 2	

THIRD ANGLE SYSTEM DIMENSIONING



SILK PRINT

A/W CONT. NO. 4 4-15-89

2

NOTES—UNLESS OTHERWISE SPECIFIED:

UNLESS OTHERWISE SPECIFIED TOLERANCES	ON LINEAR DIMENSIONS	ON ANGULAR DIMENSIONS	DRAWN BY	DATE	ATARI CORPORATION
	UNDER 30 ±	±	Z. Kuramachi	6-14-89	
	30 THRU 500 ±	±	CHECKED	DATE	TITLE
	OVER 500 ±	±	T. Kachid	6-15-89	PCB MEGAFILE 44
MATERIAL			ENGINEER	DATE	SIZE
			O. Shinagawa	6-16-89	DRAWING NO.
NEXT ASSY	USED ON ORIGINAL MODEL	FINISH	APPROVED	DATE	B
			J. Omine	4/1/89	C103310
APPLICATION					REV
					3
					SCALE
					NONE
					SHEET
					2 OF 8

